

## DIGIEYE CAM SY-N4D8FW-R3V



**DIGIEYE CAM SY-N4D8FW-R3V** is an IP camera that, upgrades H.265 encoding technology, bringing high efficient video compression. It saves bandwidth and storage, energy-saving design to enhance the monitoring system. Meanwhile, the series offers features such as Smart IR technology, intelligent image analysis techniques. It provides excellent image quality and intelligent and efficient event reminders. This series provides IP66 weatherproof and IK10 vandal-proof protection feature.

## FUNCTIONS

**Wide Dynamic Range**

For applications with both bright and low lighting conditions that change quickly, true WDR (120dB) optimizes both the bright and dark areas of a scene at the same time to provide usable video.

**Intelligent Video System (IVS)**

The camera provides optional standard intelligence at the edge allowing detection of Perimeter, Single Virtual Fences, Double Virtual Fences, Loiter, Multi Loiter, Object Left, Object Removed, Abnormal Speed, Converse, Illegal Parking, Signal Bad.

**Environmental**

With a temperature range of -30 °C to +50 °C (-22 °F to +122 °F), the camera is designed for extreme temperature environments.

**Smart Encode (H.265+)**

The Smart H.265+ encoding technology includes a scene adaptive encoding strategy, dynamic GOP, dynamic ROI, flexible multi-frame reference structure and intelligent noise reduction, providing saving of up to 70% of bandwidth and storage when compared with standard H.265.

**HEVC (H.265)**

H.265 ITU-T VCEG is a new video coding standard. H.265 Following standard developed around the existing video coding standard H.264, to improve the relationship between the code stream, encoding quality, and the delay between algorithm complexity, optimize settings specific contents include: Improve compression efficiency, improve the robustness and error recovery capabilities, real-time to reduce the delay, reduce channel acquisition time and a random access delay, reduce complexity

## KEY FEATURES

- 1/2.5" Progressive Scan CMOS
- 2.8mm (3.6mm optional)
- 30fps@4K(3840×2160)
- Triple Streams
- Smart IR Up to 30m
- Low bitrate, Excellent low light performance
- WDR, 3D DNR
- ROI, Defog, HLC, Corridor mode, DIS
- IP67, IK10

**TECHBOARD**  
GROUP

**SYAC-TB**

**Sede e Stabilimento**

Via della Scienza 50  
41122 Modena—Italia  
Tel.: +39 059 289811  
Fax: +39 059 289860  
www.techboardgroup.com

**Divisione Sicurezza**

Tel. +39 059 289899  
Fax + 39 059 289860  
www.syac-tb.com



MULTI  
BROWSER

IP

DATA  
SHEETS

SYAC-TB

## TECHNICAL SPECIFICATIONS

**Camera**

Image Sensor	1/2.5" Progressive Scan CMOS
Effective Pixels	3840(H)×2160(V)
Scanning System	Progressive
Electronic Shutter	1/5-1/20,000s
Min. illumination	Color:0.01Lux@(F1.2,AGC ON) , B/W:0Lux@(IR LED ON)
S/N Ratio	55dB
IR Range	Up to 30m
IR On/Off Control	Auto/ Manual
IR LEDs	2pcs
Pan/Tilt/Rotation Range	Pan:0°~350°, Tilt:0°~75°, Rotation: ± 90°

**Lens**

Lens Type	Fixed
Iris	Fixed Iris
Focal Length	2.8mm (3.6mm optional)
F Number	F2.2
Angle of View	115°
Focus Control	Fixed
Close Focus Distance	0.5m

**Video**

Compression	H.265,H.264,MJPEG
Max. Resolution	8MP(3840×2160)
Streaming Capability	3 Streams
Stream / Frame Rate	Stream1: 3840 × 2160/3072×2048/2592×1520/ 1920×1080 @25/30fps Stream2: D1/ VGA / CIF/ QVGA @25/30fps Stream3: VGA/CIF/QCIF @25/30fps
Bit Rate Control	CBR/VBR
Bit Rate	Main Stream: 500kbps~16Mbps Sub Stream: 32kbps~6Mbps
Day/Night	ICR
Image Enhancement	HLC / Defog / WDR (120dB)
White Balance	Support
Gain Control	Auto/Manual
Noise Reduction	2D/3D DNR
Electronic Image Stabilization(EIS)	Support
Smart IR	Support
Mirror	Support

Region of Interest	Support
Motion Detection	Support
Privacy Masking	Support

**Audio**

Compression	G.711 ,RAW_PCM
Bit Rate	64kps (G.711), 128 kps (RAW_PCM)

**Network**

Protocols:	IPv4/IPv6, 802.1x, HTTP, HTTPS, TCP/IP, UDP/IP, RTSP, DHCP, NTP, RTCP/RTP, PPPoE, SMTP, DNS, UPnP, FTP, ARP, SNMP
Interoperability	ONVIF
Streaming Method	Unicast
Max. User Access	10 Users
Web Viewer	<IE11, Chrome, Firefox
Management Software	SunView
Smart Phone	IOS, Android

**Intelligence**

IVS	Perimeter, Single Virtual Fences, Double Virtual Fences, Loiter, Multi Loiter, Object Left, Object Removed, Abnormal Speed, Converse, Illegal Parking, Signal Bad
-----	---

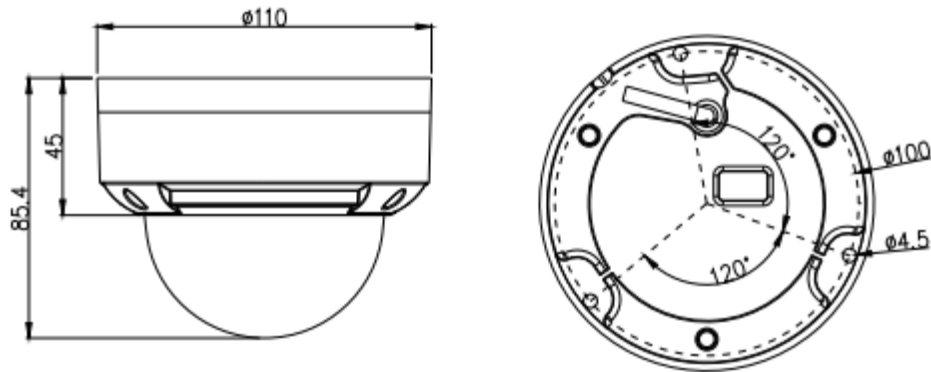
**Interface**

Ethernet	1 Ethernet (10/100 Base-T) RJ-45 Connector
Audio	1ch Audio In/Out
Alarm	1ch Alarm In/Out
RS485	N/A
CVBS Output	N/A
Reset Button	Yes
Edge Storage	Micro SD ,Max 128GB

**Electrical**

Power Supply	DC12V/POE
Power Consumption	4W(IR LED OFF), 7W (IR LED ON)
Operating Temperature	Starting Temperature: -30°C ~ 50°C (-22°F ~ 122°F) Working Temperature: -30°C ~ 50°C (-22°F ~ 122°F)
Operating Humidity	Less than 90% RH
Ingress Protection	IP67 , IK10
Certifications	CE / FCC
Casing	Metal
Dimensions	110 X85.4 mm
Net Weight	390g

## DIMENSIONS

**TECHBOARD**  
GROUP**SYAC·TB****Sede e Stabilimento**

Via della Scienza 50  
41122 Modena—Italia  
Tel.: +39 059 289811  
Fax: +39 059 289860  
www.techboardgroup.com

**Divisione Sicurezza**

Tel. +39 059 289899  
Fax + 39 059 289860  
www.syac-tb.com