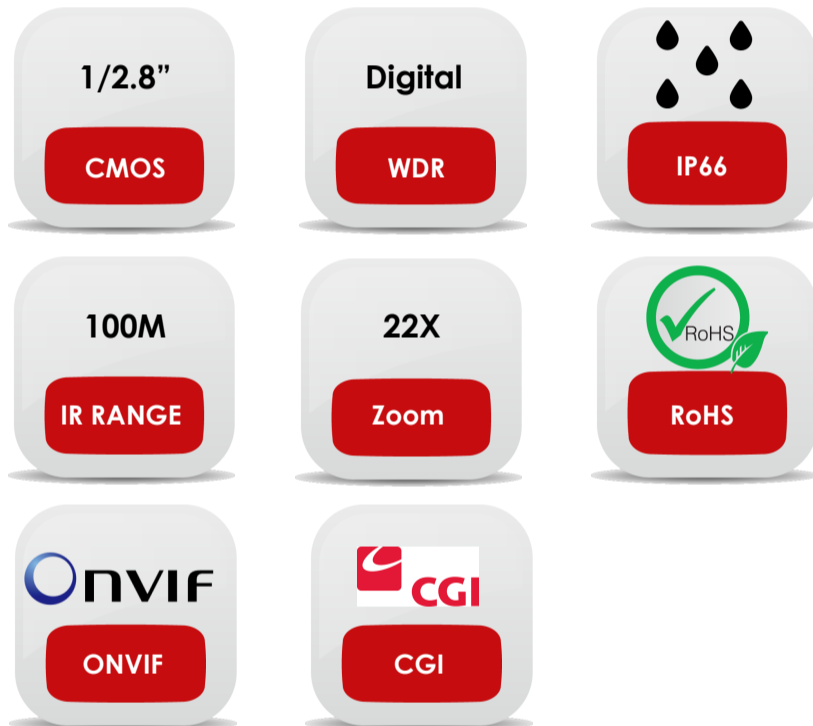


SYAC-TB

2Mpx 22x IR High Speed Dome Camera

N2PL222R

2Mpx High Speed Dome with 22x Optical zoom module. Thanks to 12pcs super-flux IR leds can light up to 100m distance. N2PL222R is Onvif compliant, IP66 certified and totally integrated and configurable from DGI systems.



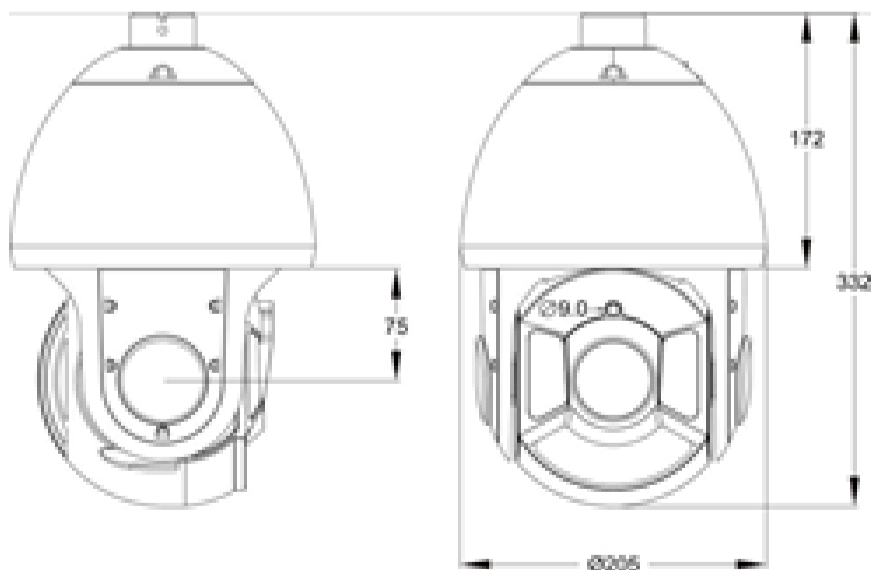
Multibrowser



Key features

- 1/2.8" Progressive Scan CMOS
- 2Mpx resolution
- 22x Optical zoom, 12x Digital zoom
- Low bitrate, Excellent low light performances
- 3D DNR, dWDR, ICR, HLC
- 100m IR range

Dimensions



Specifications

CAMERA

Image Sensor	1/2.8" Progressive Scan CMOS
Day & Night	ICR
Shutter Speed	1/10'000 - 1/50s
Auto Iris	Auto/Manual
WDR	dWDR
DNR	2D/3D
Lens	4.7-103mm (22x optical module)
IR range	100m

IMAGE

Resolution	Max. Res.: 1920*1080@30fps
Video Compression	H.264 High/Main/Baseline Profile, MJPEG
Pan/Tilt	Pan 0-360° / Tilt 0-98°
FOV	58.7° - 3.2°

INTERFACE

Audio I/O	1ch Audio In, 1ch Audio Out
Alarm I/O	7ch Alarm In, 2ch Alarm Out
Edge Storage	Micro SD/SDHC/SDXC slot, Max 64Gb

GENERAL

Power	24Vac / 2.5A
Operative Temperature	-40°C / +60°C
Protection	IP66 , TVS6000V
Dimension	Φ 205*332mm
Onvif compatibility	2.4, Profile S



TECHBOARD
 Head Office and Plant
 Via della Scienza 50
 41122 Modena—Italy
 Tel.: +39 059 289811
 Fax: +39 059 289860
 www.techboard.it

SYAC-TB
 Security Division
 Area Science Park
 Trieste - Italy
 Tel. +39 059 289899
 Fax +39 059 289860
 www.syac-tb.com

NPOWER-TB
 Divisione Energia
 Via della Scienza 50
 41122 Modena - Italia
 Tel.: +39 059 289811
 Fax: +39 059 289861
 www.npower-tb.com