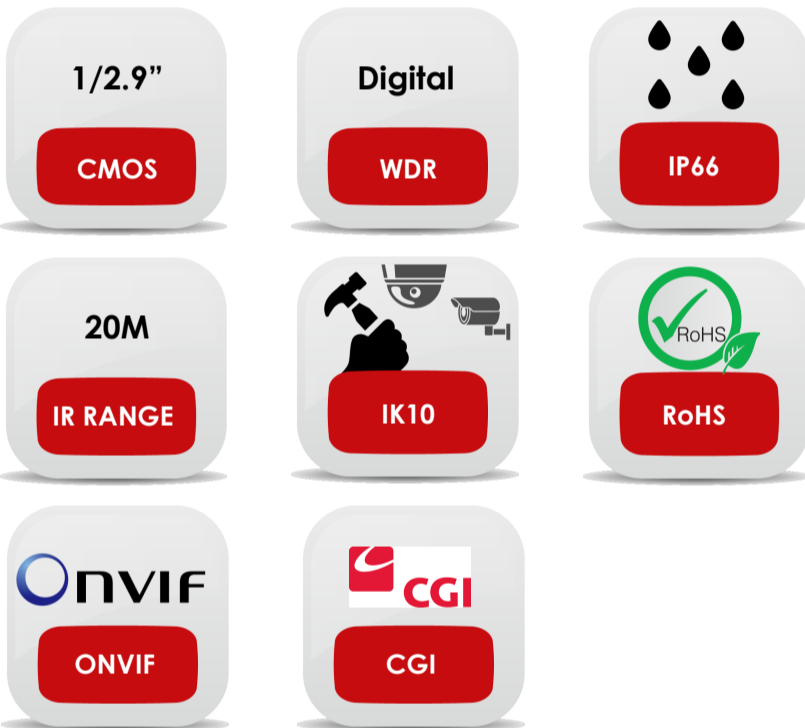


## 2Mpx Low Lux IR Vandalproof and Waterproof Dome Camera

### N1DM2312RV-B

2Mpx day/night vandalproof and waterproof dome camera with 2.8-12mm varifocal lens. Thanks to 12 super-flux IR leds can light up to 20m. N1DM2312RV-B is Onvif compliant, IP66 and IK10 certified and totally integrated and configurable from DGI systems.



#### Specifications

##### CAMERA

Image Sensor	1/2.9" Progressive Scan CMOS
Day & Night	ICR
Shutter Speed	1/5—1/20'000
Auto Iris	√
WDR	dWDR
DNR	2D/3D
Lens	2.8-12mm VF Lens
IR Range	20m

##### IMAGE

Resolution	Max. Res.: 1920*1080@30fps
Video Compression	H.264 High/Main/Baseline Profile, MJPEG
9:16 Corridor Mode	√
FOV	89° - 35°

##### INTERFACE

Audio I/O	1ch Audio In, 1ch Audio Out
Alarm I/O	1ch Alarm In, 1ch Alarm Out
Edge Storage	Micro SD/SDHC/SDXC slot, Max 32Gb

##### GENERAL

Power Supply	12Vdc/PoE
Operating Temperature	-25°C / +55°C
Protection	IP66 and IK10
Dimensions	Φ 80.3*264.5mm
Onvif compliant	2.4, Profile S

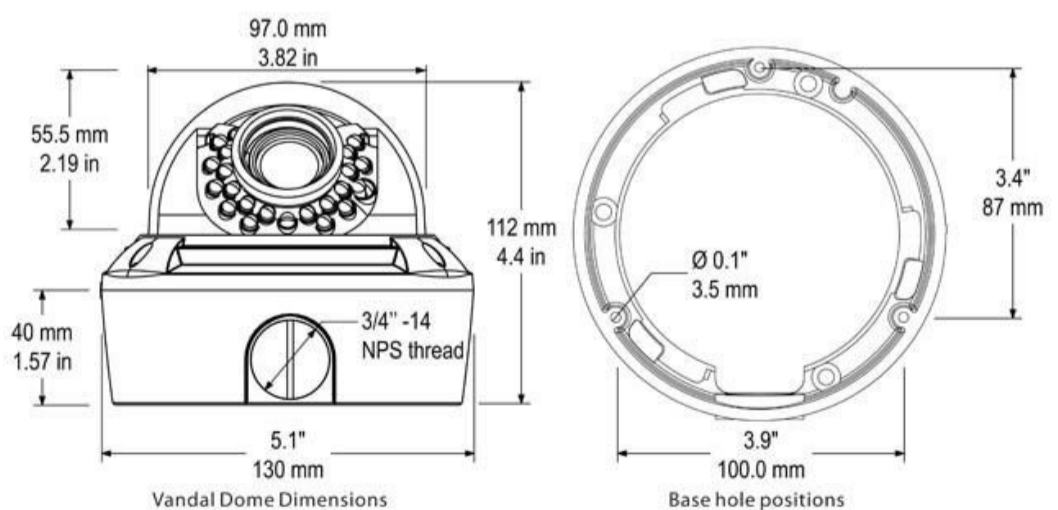
#### Multibrowser



#### Key Features

- 1/2.9" Progressive Scan CMOS
- 2Mpx Resolution
- 2.8-12mm VF Lens
- Low bitrate, Excellent low light performance
- 3D DNR, ICR, HLC
- IR range 20m
- dWDR

#### Dimensions



**TECHBOARD**  
 Head Office and Plant  
 Via della Scienza 50  
 41122 Modena—Italy  
 Tel.: +39 059 289811  
 Fax: +39 059 289860  
 www.techboard.it

**SYAC-TB**  
 Security Division  
 Area Science Park  
 Trieste - Italy  
 Tel. +39 059 289899  
 Fax +39 059 289860  
 www.syac-tb.com

**NPOWER-TB**  
 Divisione Energia  
 Via della Scienza 50  
 41122 Modena - Italia  
 Tel.: +39 059 289811  
 Fax: +39 059 289861  
 www.npower-tb.com